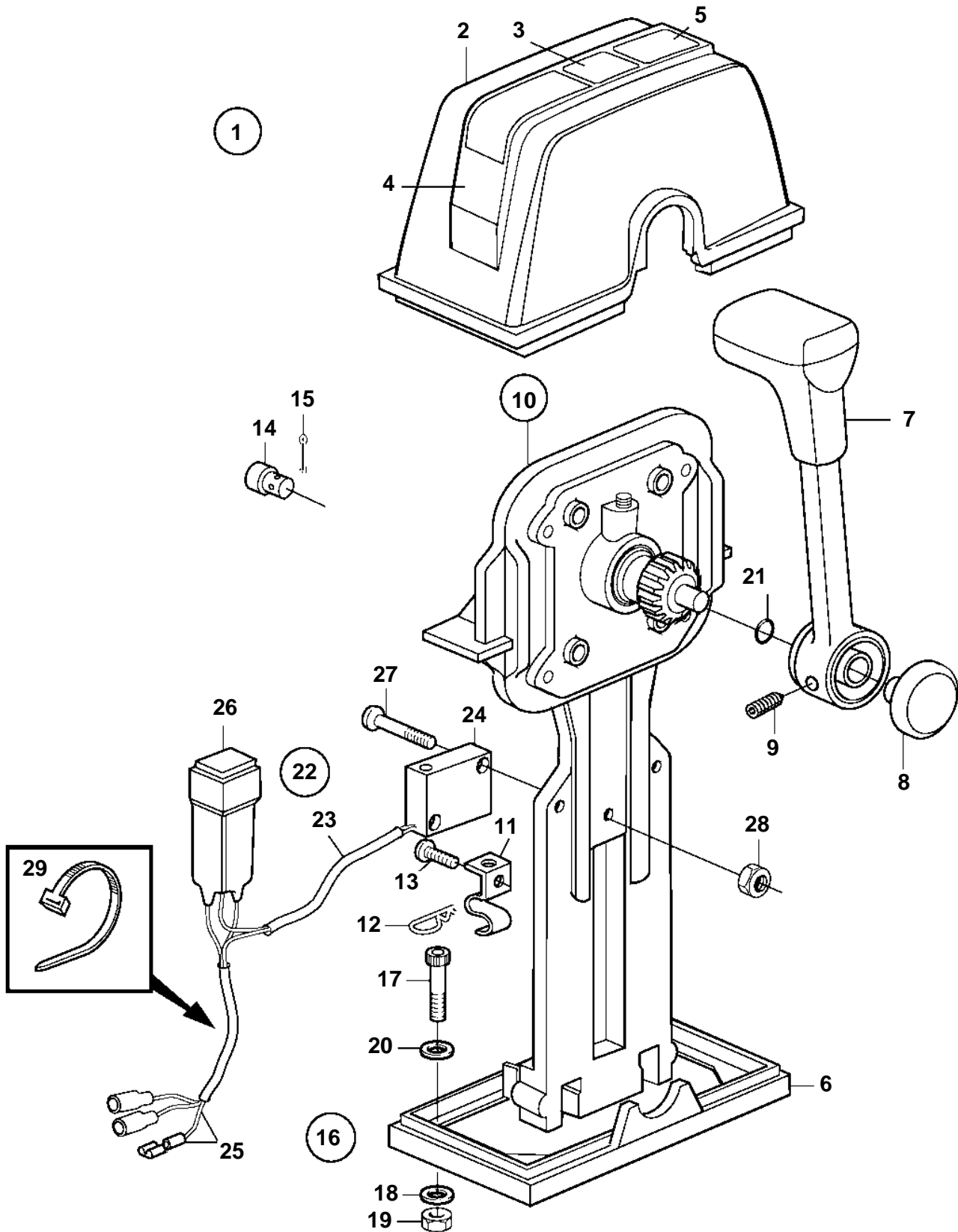


D2-55A, D2-55B, D2-55C



D2-55A, D2-55B, D2-55C

REF	PART NO.	QTY	DESCRIPTION	SEE SEC.	NOTES
1	853169	1	Mounting kit		For twin installation.
2	851881	1	• Cover		
3	851895	2	• • Decal		
4		1	• • Cover plate		
5	851897	1	• • Decal		
6	839479	1	• • Plate		
7	852347	2	• Lever		
				266	
8		2	• • Push button		Included in complete handle.
9		2	• • Screw		Included in complete handle.
10	851600	2	• Control		
11	853423	2	• • Retainer		
12	852924	2	• • Clip		
13	839664	2	• • Screw		
14	839638	2	• • Cube		
15	17253	2	• • Cotter pin		
16		1	• Screw kit		
17	947671	4	• • Allen head screw		
18	960138	4	• • Washer		
19	955780	4	• • Nut		
20	940090	4	• • Washer		
21	925058	2	• O-ring		
22	855352	2	Neutral posit contac		
23	839619	2	• Cable kit		
24	850200	2	• • Switch		
25		X	• • Cables and terminals	1963	
26	876037	2	• Relay kit		
27	946177	4	• Screw		
28	947536	4	• Nut		
29	948211	X	• Strip clamp		